

SPACE[®] 75-37A773 / 75-47A773 MANAGERS CHAIR OPERATING INSTRUCTIONS



FEATURE

• PNEUMATIC SEAT HEIGHT ADJUSTMENT

To raise seat remove pressure from seat and lift lever (1) up.

To lower seat height sit on chair and lift lever (1) up.

• LOCKING MID-PIVOT KNEE TILT ADJUSTMENT

Pull lever (3) out for free float, To lock return chair to the upright position and push lever (3) in.

• TILT TENSION ADJUSTMENT

For individual comfort, this chair has been equipped with an adjustment that will allow the user to change the tension of the tilting feature. Turn knob (2) clockwise to increase tension and counter-clockwise to decrease or ease the tension.

NOTE: Be careful not to loosen tilt adjustment knob completely.

• ARM HEIGHT ADJUSTMENT

To adjust arm height, push button (4) in to allow the arms to move up or down freely. Release the button (4) once the desired height is reached.

• ARM WIDTH ADJUSTMENT

To adjust width, push lever (5) down slide arm to desired position then pull lever (5) up to lock arm into position.

WARNING

1. Use this product only one person at a time.
2. Do not use this chair unless all bolts screws and knobs are securely tightened.
3. Check that all bolts screws and knobs are tight every three months or as needed.
4. Do not overturn back tilt knob when decreasing tension.
5. Dispose of packing material properly. Do not use plastic cover as head covering. It may cause suffocation.
6. Do not use chair as a stepladder.
7. Use this chair for its intended purpose only.
8. Use mild detergent only for cleaning.

LIMITED WARRANTY

SPACE[®] chairs are warranted* from the date of purchase against failure due to material and workmanship as follows:

- Lifetime on component parts including pneumatic cylinder, control mechanism, base and casters.
- 3 Years on upholstery fabric and foam against wear and deterioration.

**All warranties are limited to the original purchaser for normal commercial usage defined as a standard forty hour work week by persons weighing 400 lbs. or less. This warranty will not cover labor, freight or damage from misuse, abuse, negligence, alteration, accident, vandalism, rusting, acts of nature or any other event beyond the control of Office Star Products. The warranty does not cover cosmetic damage that may result from normal use. Liability for incidental or consequential damages is excluded. The user assumes all risk of injury resulting from use of this product. When usage is more than 40 hours per week, a five year warranty on all parts applies. Fabric is warranted for one year. This warranty gives you specific legal rights, and you may also have other rights which vary from state to state.*

To make a warranty claim, contact Parts Department via e-mail parts@officestar.net, by Fax 1-909-930-5629, or toll free parts number 1-800-950-7262, Monday through Friday 8:00 a.m. - 5:00 p.m. Pacific Time. Provide model number and description of the problem and obtain confirmation number. At it's option Office Star Products will:

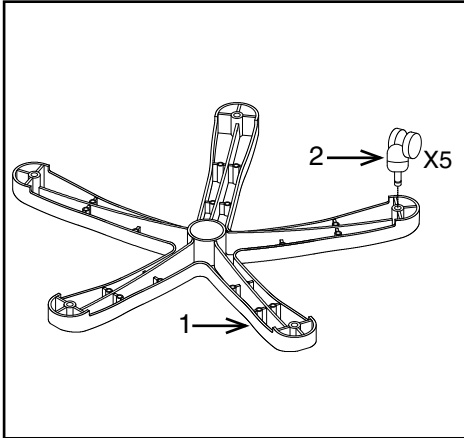
- (a) Supply compatible components of current manufacture.
- (b) Repair the customer's component.

It is the customer's responsibility to prepay freight on any components returned to the factory. Return freight on components covered by warranty will be paid by Office Star Products.

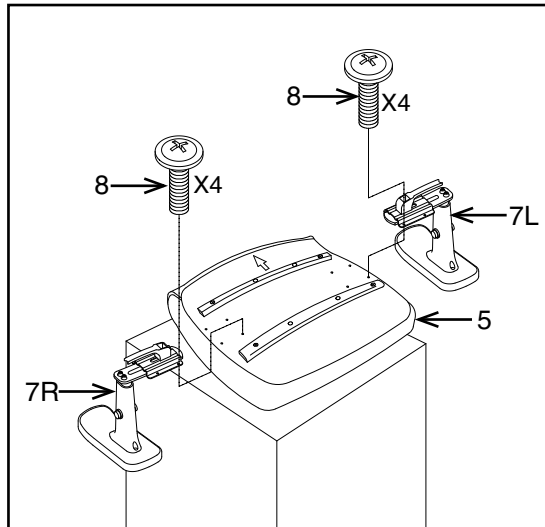
S | P | A | C | E[®] 75-37A773 / 75-47A773 MANAGERS CHAIR

ASSEMBLY INSTRUCTIONS

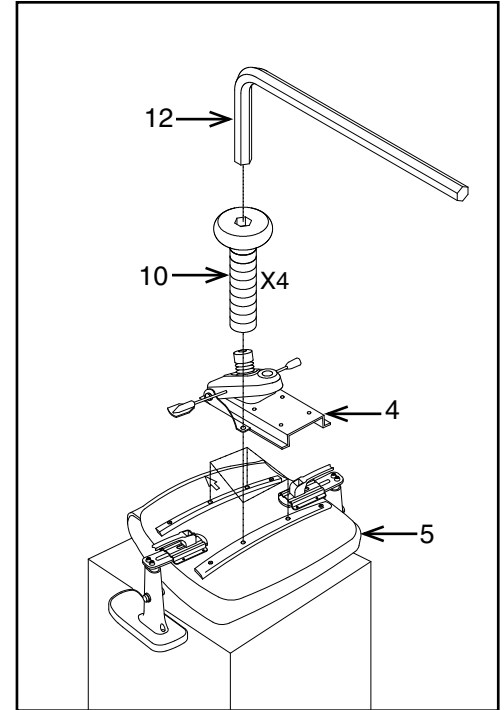
STEP 1



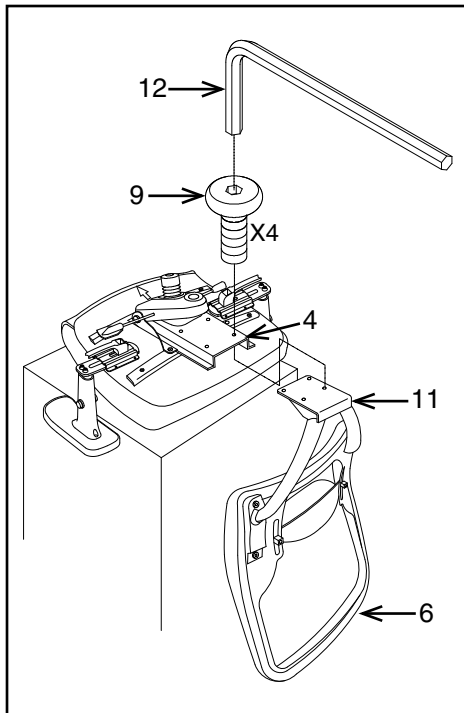
STEP 2



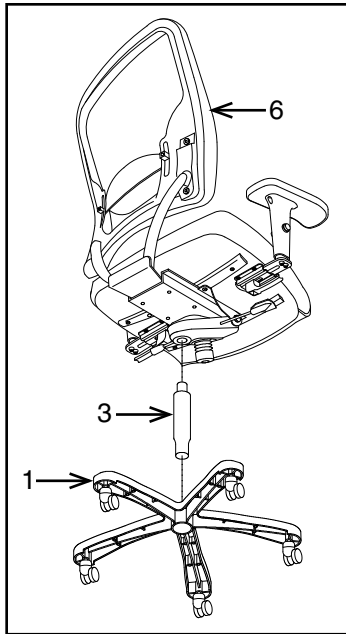
STEP 3



STEP 4



STEP 5



PART	QTY
1. Base	1
2. Casters	5
3. Pneumatic Cylinder	1
4. Mechanism	1
5. Seat Cushion	1
6. Back Assembly	1
7. Arms Left (7L) Right (7R)	2
8. Phillips Screws	8
9. Small Allen Screws	4
10. Large Allen Screws	4
11. Back Support (Pre-Installed)	1
12. Allen Wrench	1

Phillips Screwdriver also needed for assembly (not provided)

Remove all parts from carton, separate by part numbers indicated on parts list, and verify part quantities.

STEP 1 Insert five Casters (2) into Base (1), push hard until you feel or hear the Caster (2) snap into place.

STEP 2 Align the holes in the Arms (7L & 7R) with the holes in the Seat Cushion (5), attach Arms (7L & 7R) to Seat Cushion (5) using four Phillips Screws (8) for each arm. **FULLY TIGHTEN ALL SCREWS USING PHILLIPS HEAD SCREWDRIVER.**

STEP 3 Attach Mechanism (4) to Seat Cushion (5) with the arrow towards the front of the chair, using four Large Allen Screws (10), **TIGHTEN ALL FOUR SCREWS COMPLETELY.**

STEP 4 Attach Back Support (11) to rear of Mechanism (4) using four Small Allen Screws (9), **FULLY TIGHTEN ALL SCREWS USING ALLEN WRENCH (12).**

STEP 5 Insert Pneumatic Cylinder (3) into Base (1), Place the assembled seat on top of Pneumatic Cylinder (3) and apply downward pressure.

ATTENTION: MAKE SURE ALL SCREWS ARE FULLY TIGHTENED BEFORE USING CHAIR.