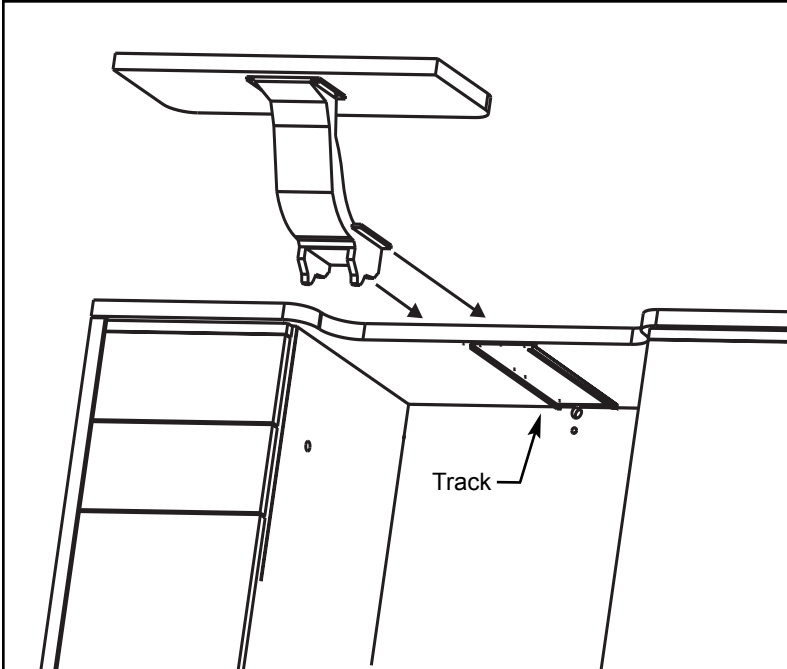


KEYBOARD TRAY ASSEMBLY

Illustration 1



Read all instructions and review illustrations before installing.

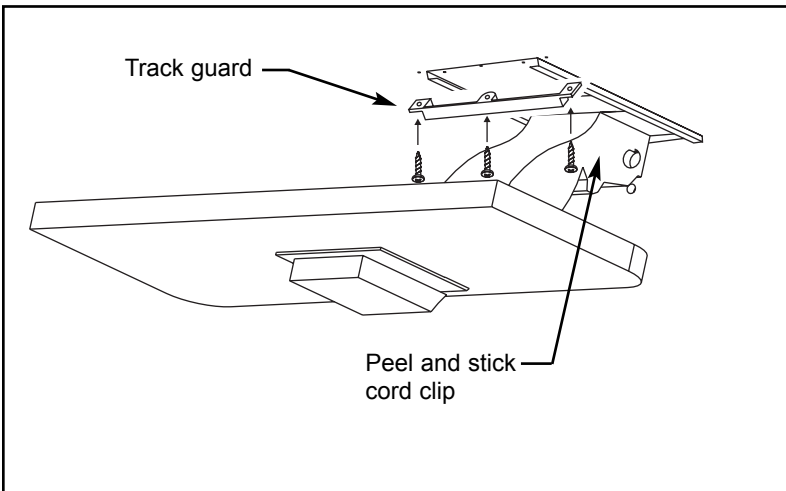
Tools required for assembly:
#2 Philips head screwdriver

This assembly includes:
(1) Keyboard tray mechanism
(1) Track guard
(3) #8 X 5/8" screws

Mechanism Installation (refer to Illustration 1):

1. Insert mechanism into track.
2. Tip up front of tray and lower mechanism to down position.
3. Slide mechanism back to bumper.

Illustration 2



Track Guard and Cord Clip Installation (refer to Illustration 2):

1. Place track guard at end of track, lining up with pilot holes.
2. Secure track guard with screws.
3. Peel backing from cord clip and stick cord clip to tray mechanism.

INSTALLATION INSTRUCTIONS