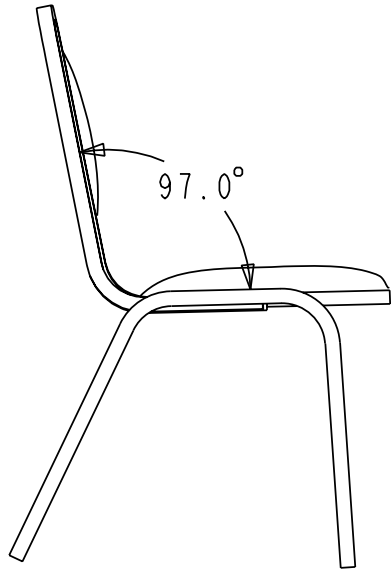


MODEL: 1082 1082T



CHAIR SPECIFICATIONS

Max. Width..... 17-7/8
 Max. Depth..... 21-1/4
 Max. Height..... 35

SEAT SIZE

Width..... 15-1/2
 Depth..... 16
 Usable Depth..... 16
 Height from Floor..... 17-1/4

BACK SIZE

Width..... 13
 Height..... 11-1/2
 Height from Seat..... 13-1/4

STACK SIZE

Stacks on floor..... 8 HIGH
 Stacks on optional cart.. 8 HIGH

CONSTRUCTION

Glide..... Natural Polyethylene.
 Frame..... Monochromatic or black powder coated 7/8" square 18 gauge steel.
 Seat..... 7/16" plywood support, 1-1/2" thick urethane foam cushion.
 Back..... 3/4" Particle board, 3/4" thick urethane foam
 Chair Weight..... 15 pounds per chair.
 Shipping Weight..... 67 pounds (4 pack).
 Shipped..... Completely assembled, (4) per carton.
 Shipping Size..... 46-1/2 length X 23-1/2 width X 18-1/2 depth.
 (11-3/4 cubic feet.)
 Flammability Rating... Furnished upon request by the HON Company Customer
 Service. Model 1082 meets the State of California
 Department of Consumer Affairs Technical Bulletin
 117 requirements.

Issue Date:	12-SEP-2007
Part Number:	53-9198