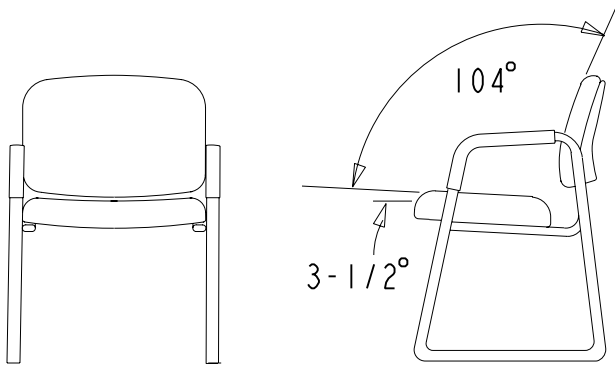


MODEL: 4008

Guest, Arms, Sled Base



CHAIR SPECIFICATIONS

Max. Width..... 23-1/2
 Max. Depth..... 25-1/2
 Max. Height..... 32-1/2

SEAT SIZE

Width..... 20
 Depth..... 18
 Usable Depth..... 18-1/4
 Height from Floor.... 19-1/4

BACK SIZE

Width..... 21
 Height..... 14
 Height from Seat..... 15

ARM SIZE

Width..... 1-3/4
 Distance between Arms 19
 Height from Floor.... 25
 Height from Seat..... 5-3/4

CONSTRUCTION

- Glide..... Monochromatic plastic.
- Frame..... Monochromatic 1-1/2"x 3/4" oval, 16 gage steel tubing.
- Seat..... 1/2" thick, 5-ply curved plywood, 3" thick urethane foam cushion.
- Back..... Compound-1/2" thick, 5-ply curved plywood, 3" thick urethane foam cushion.
- Arm..... Monochromatic 1-1/2"x 3/4" oval tubing with plastic arm pad.
- Upholstery..... See Dealer List Pricer. Customer own material (COM)required yardage per SKU = 1 yard.
- Chair Weight..... 25 pounds.
- Shipping Weight..... 32-1/2 pounds.
- Shipped..... Completely assembled.
- Shipping Size..... 26-5/16" wide x 24-3/8" deep x 33" high(12 cubic feet).
- Flammability
 Rating..... Furnished upon request by THE HON COMPANY CUSTOMER SERVICE

Note..... All measurements are per ANSI/BIFMA procedures.

Issue Date: 11-27-96
Part Number: 53-8633