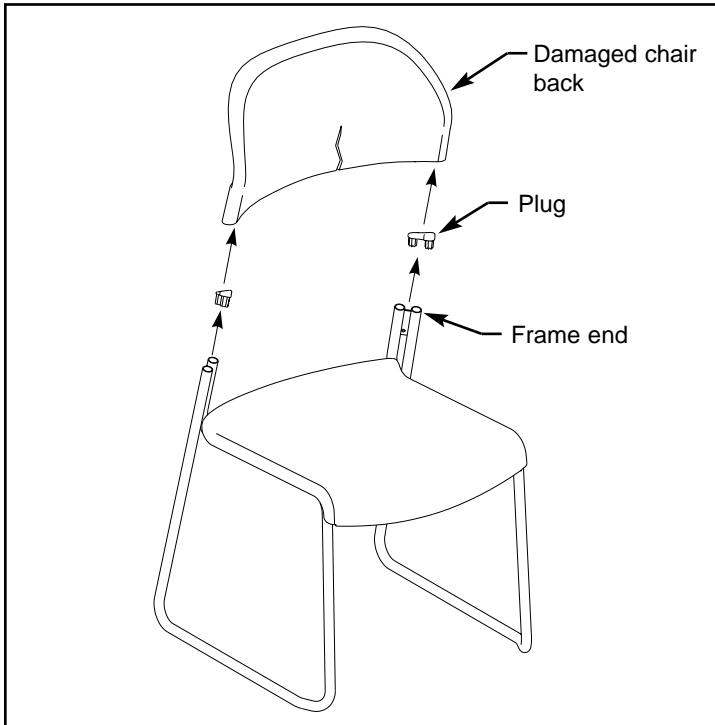


CHAIR BACK

REPLACEMENT INSTRUCTIONS

Illustration 1



Read all instructions and review illustrations before installing.

Tools required for assembly:
Rubber mallet

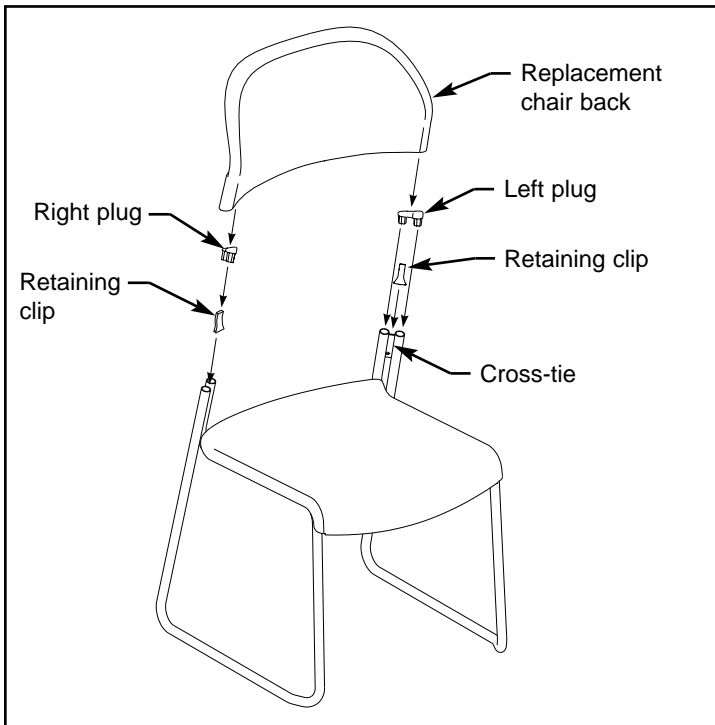
This assembly includes:

- | | |
|----------------|--------------------|
| (1) Seat back | (1) Left plug |
| (1) Right plug | (2) Retaining clip |

Replacement:

1. Refer to Illustration 1. Remove damaged chair back from chair frame. If necessary, use the rubber mallet to tap up on bottom edge of chair back until back separates from chair frame.
2. Refer to Illustration 1. Remove plugs from chair frame.
3. Discard damaged chair back and plugs.
4. Refer to Illustration 2. On left side of chair frame, hang a retaining clip (from hardware pack) onto the chair frame cross-tie and insert the left plug (from hardware pack) into frame ends as shown.
5. Refer to Illustration 2. On right side of chair frame, hang the remaining retaining clip (from hardware pack) onto the chair frame cross-tie and insert the right plug (from hardware pack) into frame ends as shown.
6. Refer to Illustration 2. Position chair back over frame ends and press down firmly on chair back to lock back in place.

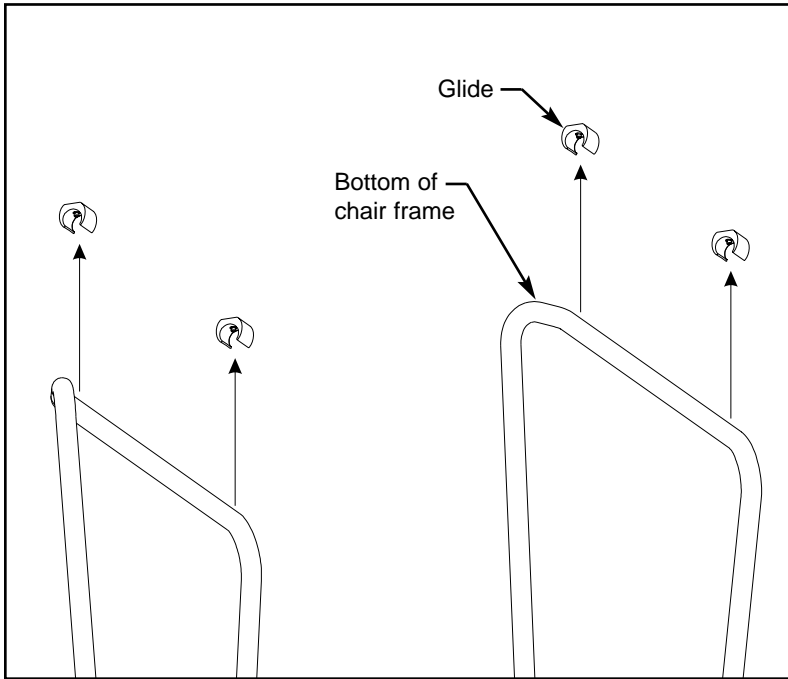
Illustration 2



GANGING GLIDE

INSTALLATION INSTRUCTIONS

Illustration 1



Read all instructions and review illustrations before installing.

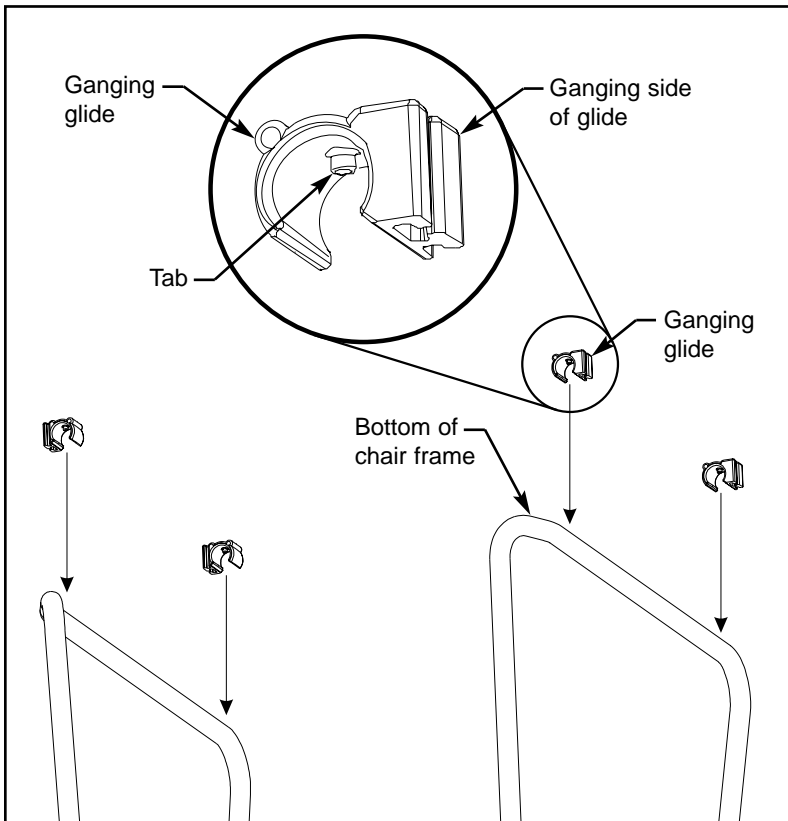
Tools required for assembly:
Pliers

This assembly includes:
(4) Ganging glide

Glide Removal (refer to Illustration 1):

1. Place chair, upside down, on cardboard or a carpeted surface (this is to prevent the chair finish from being scratched).
2. Use the pliers to carefully pull glides free from bottom of chair frame. Glides may break during removal.

Illustration 2



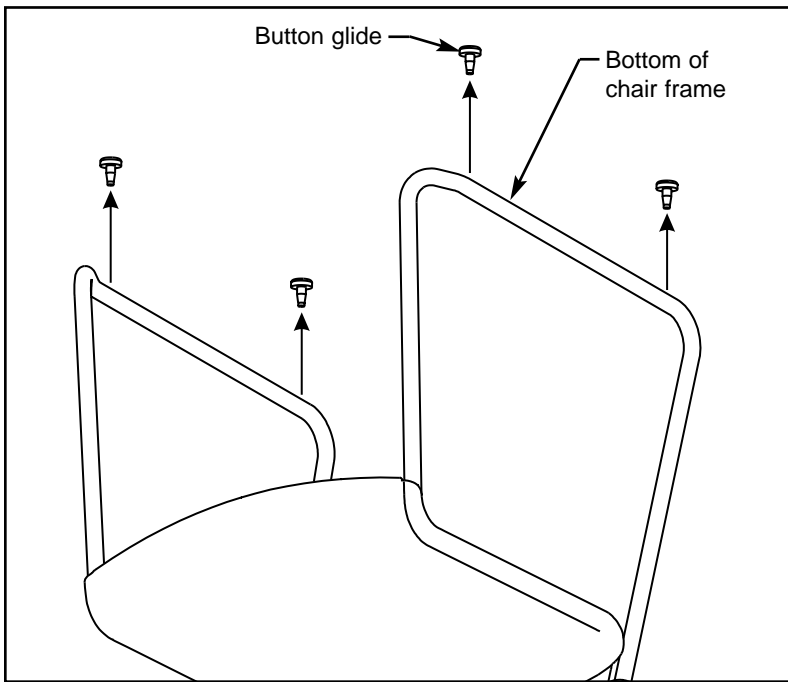
Ganging Glide Installation (refer to Illustration 2):

1. Locate tab on the inside of ganging glide.
2. With ganging side of glide facing away from chair, align tab with the hole in bottom of chair frame.
3. Press ganging glide onto chair frame. Ensure tab in glide is seated into hole in chair frame.

GANGING GLIDE

INSTALLATION INSTRUCTIONS

Illustration 1



Read all instructions and review illustrations before installing.

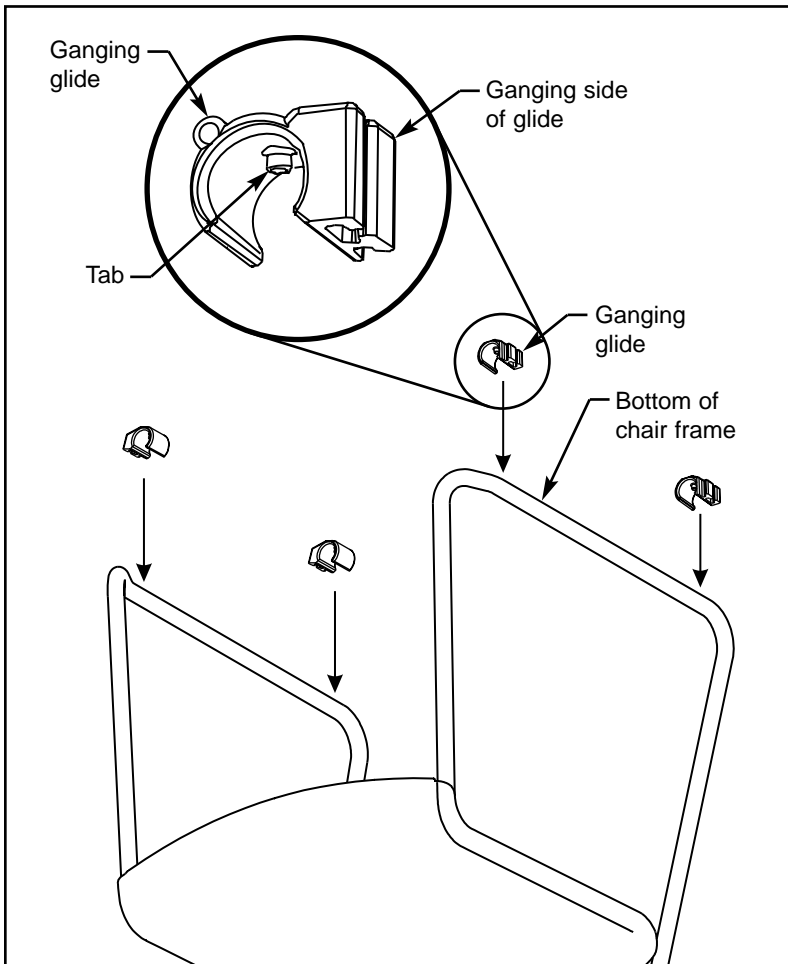
Tools required for assembly:
Pliers

This assembly includes:
(4) Ganging glide

Button Glide Removal (refer to Illustration 1):

1. Place chair, upside down, on cardboard or a carpeted surface (this is to prevent the chair finish from being scratched).
2. Use the pliers to carefully pull button glides free from bottom of chair frame. Button glides may break during removal.

Illustration 2



Ganging Glide Installation (refer to Illustration 2):

1. Locate tab on the inside of ganging glide.
2. With ganging side of glide facing away from chair, align tab with the hole in bottom of chair frame.
3. Press ganging glide onto chair frame. Ensure tab in glide is seated into hole in chair frame.