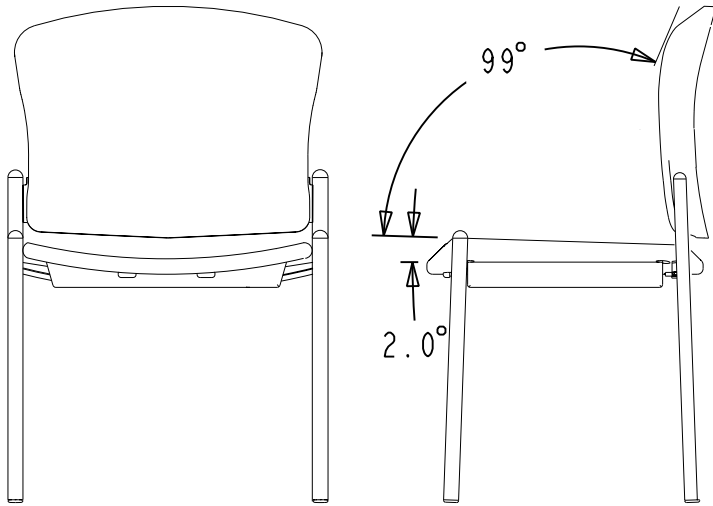


MODEL: 4073

Guest



CHAIR SPECIFICATIONS

Max. Width.....	21-1/4
Max. Depth.....	22-1/2
Max. Height.....	33
<u>Seat Size</u>	
Width.....	20-1/4
Depth.....	19-1/2
Usable Depth.....	16-1/4
Height from Floor.....	18
<u>Back Size</u>	
Width.....	21-1/4
Height.....	16-1/4
Height from Seat.....	17-1/2

CONSTRUCTION

- Glide..... Clear plastic.
- Frame..... Monochromatic 1" round, 12 gauge steel tubing.
- Seat..... Compound-curved shaped blow-molded plastic, 3" thick urethane foam cushion.
- Back..... 5/8" thick, 7-ply curved plywood, 1-1/2" thick urethane foam cushion.
- Arm..... N/A
- Upholstery..... See List Pricer. Customer own material (COM) required yardage per SKU = 3 yards.
- Chair Weight.....20 pounds.
- Shipping Weight..... 52 pounds.
- Shipped..... Completely assembled, (2) per carton.
- Shipping Size..... 29-5/8" wide x 27-1/2" deep x 40-1/8" high (18.9 cubic feet).
- Flammability Rating..... Furnished upon request by THE HON COMPANY CUSTOMER SERVICE.
- Note..... All measurements are per ANSI/BIFMA procedures.

Issue Date: 3-30-01
Part Number: 53-9138 (-)