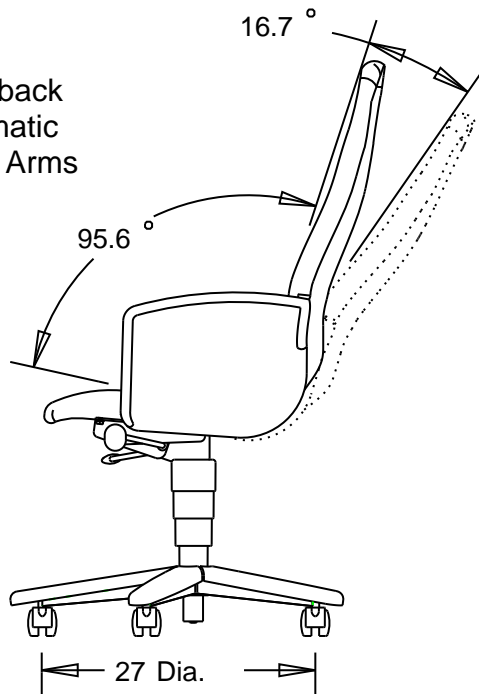


### 5401

Executive, High-back  
Swivel-Tilt,Pneumatic  
Solid Upholstered Arms



#### CHAIR SPECIFICATIONS

- Max Width..... 29-1/2"
- Max. Depth..... 29-1/4"
- Max. Height..... 51-1/4"
- Seat Size
  - Width..... 23-1/4"
  - Depth..... 19-3/4"
  - Usable Depth..... 19-1/4"
  - Height from Floor... 17-1/2"-22"
- Back Size
  - Width..... 22-1/4"
  - Height..... 34-3/4"
  - Height from Seat.... 32-1/2"
- Arm Size
  - Width..... 3"
  - Distance Between Arms..... 23-1/4"
  - Height from Seat.... 9-1/4"
  - Height from floor... 26-3/4"-31-1/4"

#### CONSTRUCTION

Caster..... Hooded 2-3/8" diameter dual wheel, monochromatic black finish.

Base..... 5 leg base is 27" dia., black glass filled nylon.

Control..... Black heavy gauge steel, swivel tilt, tilt lock, 17-4 taper.

Seat..... 3.25" thick multi-density urethane foam cushion assembly on contoured molded composite seat panel.

Back..... 2.5" thick multi-density urethane foam cushion assembly on contoured molded composite back panel with lumbar support.

Arm..... Solid Rigid Urethane, Upholstered

Upholstery..... See dealer list pricer. Customer Own Material (COM) required yardage per SKU = 4.0 yards. Vinyl and leather not available.

Chair Weight..... 61.0 pounds.

Shipping Weight.... 77.0 pounds.

Shipped..... Completely assembled.

Shipping Size..... 31.0" X 32.0" X 49.5" (CUBIC FEET 28.42).

#### Flammability

Rating..... This model not available in flame-retardent options.

Special Features... A pneumatic gas cylinder is used for seat height adjustment.  
Large scale 'Big or Tall' model warranted to 450 lbs. for normal use.  
Soft casters are available as an optional feature.

Notes..... All measurements are per BIFMA CMD-1-96 procedure.

8/01/06

53-3342