

IMPORTANT CHAIR INSTRUCTIONS

After reading, store this booklet in the orange pocket (or tabs) attached to the bottom of your chair's seat.

**INSTRUCTIONS IMPORTANTES
POUR LA CHAISE**

Après lecture, ranger ce livret dans la pochette orange (ou sous l'attache) qui se trouve en bas du siège.

**INSTRUCCIONES IMPORTANTES
SOBRE LA SILLA**

Después de leer este manual, guardarlo en la bolsita naranja o lengüetas fijadas debajo del asiento.

THIS PRODUCT MAY BE COVERED BY ONE OR MORE OF THE FOLLOWING U.S. PATENTS: 393,157; 5,318,345; 5,324,096; 5,415,459; 5,419,617; 5,478,137; 5,529,373; 5,542,159; 5,542,743; 5,582,460; 5,704,691; 5,711,576; D342,839; D353,718; D357,130; D360,769; D362,558; D362,973; D362,974; D367,185; D367,981; D367,983; D368,380; D368,817; D369,687; D369,706; D370,789; D372,595; D372,596; D377,424; D383,931; D388,270; D390,384; D390,386; D393,157; AND OTHER PATENTS PENDING.

42-5600C

(7/99)

MAINTENANCE

Inspection - Inspect chair, at least every six months, to make sure all knobs, bolts, and screws are tight.

Vinyl upholstery - Wipe with damp cloth, moistened in a mild detergent solution. For unusual stains use commercial vinyl cleaner, following manufacturer's instructions.

Fabric upholstery - Whisk or vacuum regularly. For unusual stains use a commercial nylon cleaner, following manufacturer's instructions.

Other surfaces - Wipe with a soft cloth, moistened in a mild detergent solution. Dry and buff lightly with a dry cloth.

Lubrication - Lubricate all moving parts at least every six months.

The serial number is on a label on the bottom of the seat. Any correspondence concerning this product should include this information.

IMPORTANT CHAIR INSTRUCTIONS

 **WARNING**

FAILURE TO FOLLOW THESE WARNINGS AND INSTRUCTIONS CAN RESULT IN SERIOUS INJURY.

- Read all instructions fully before assembly or use.
- After reading, return this booklet to the orange warning pocket (or tabs) attached to the bottom of the seat.
- If chair is not operating properly, or parts are loose, missing, or broken, stop use of chair immediately.
- Chair fabric will burn. Exercise care when near open flame or with burning cigarettes.

CHAIR ADJUSTMENTS

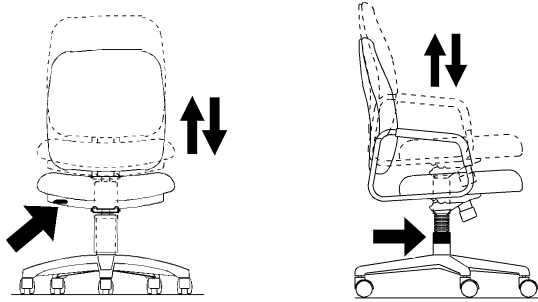
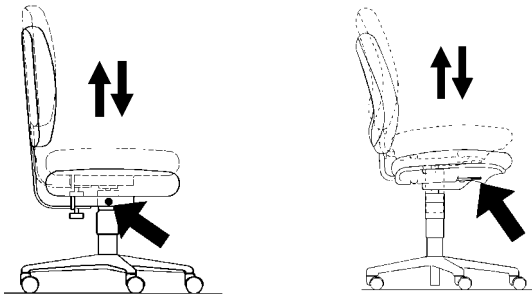
This instruction booklet covers a variety of chair styles. Your chair may have all, some, or none of the following adjustment.

Adjustment Instructions:

Refer to the following illustrations to locate the desired adjustment (seat height, seat depth, etc.) and control knob/lever. Adjust chair as desired.

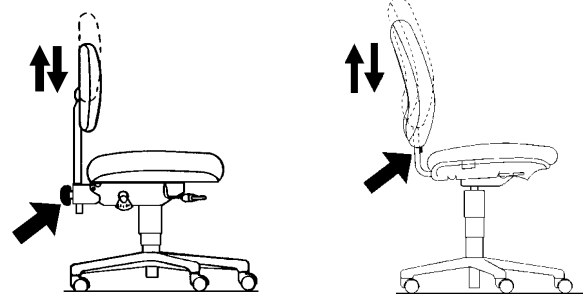
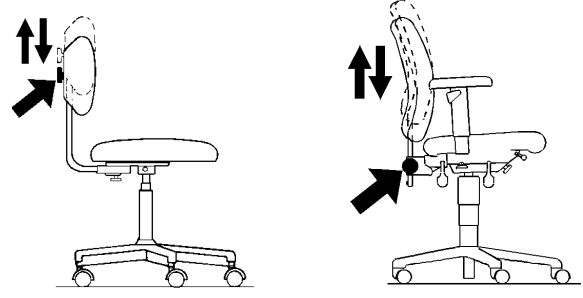
CHAIR ADJUSTMENTS

Seat height



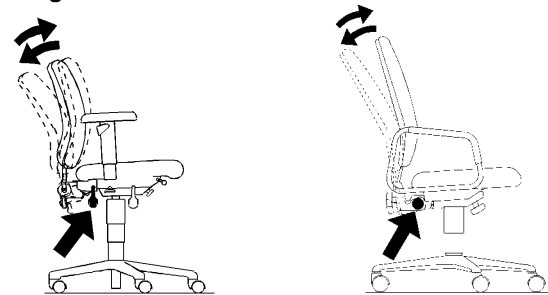
CHAIR ADJUSTMENTS

Back height

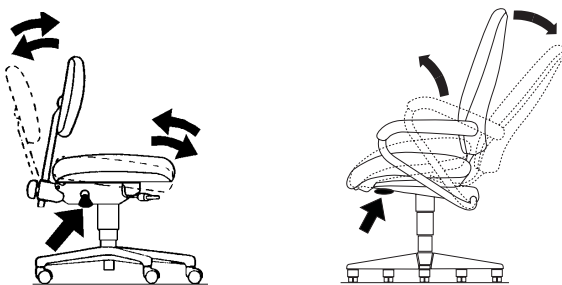


CHAIR ADJUSTMENTS

Back angle

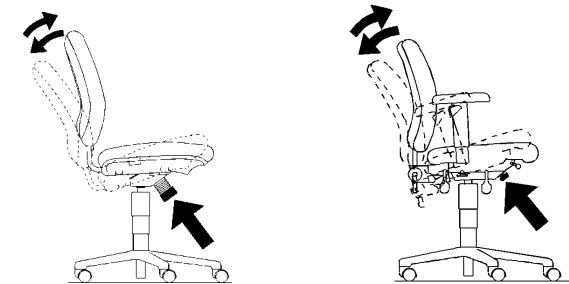


Back and seat angle

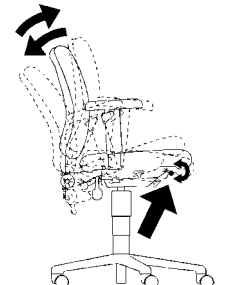


CHAIR ADJUSTMENTS

Tilt tension

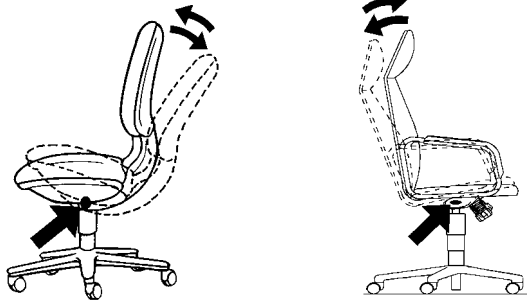
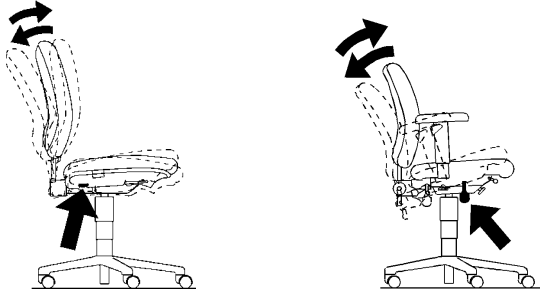


Front stop



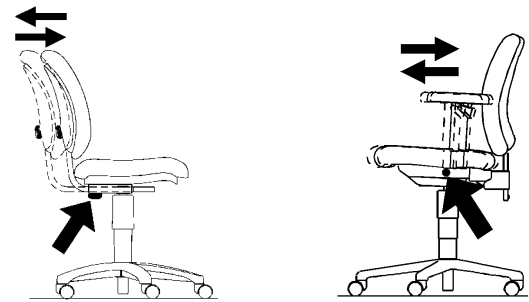
CHAIR ADJUSTMENTS

Tilt lock

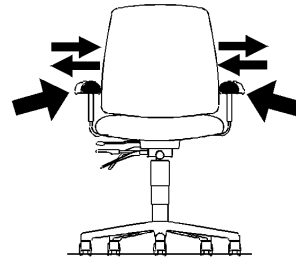


CHAIR ADJUSTMENTS

Seat depth



Arm height



Arm width

