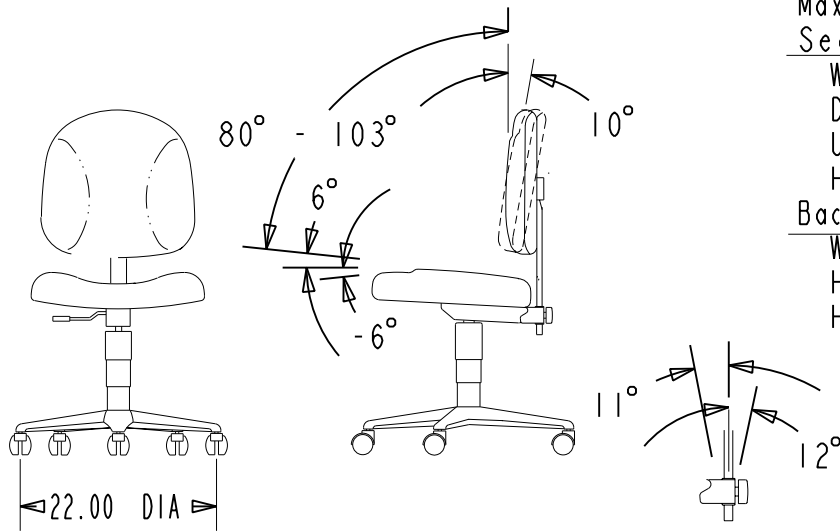


MODEL: 7903

Operator, Multi-Task, Pneumatic



CHAIR SPECIFICATIONS

Max. Width.....	25
Max. Depth.....	29
Max. Height.....	41-1/2
<u>Seat Size</u>	
Width.....	20-1/2
Depth.....	18-1/4
Usable Depth.....	15-1/2 - 17-3/4
Height from Floor....	15-3/4 - 20-3/4
<u>Back Size</u>	
Width.....	17-1/2
Height.....	16
Height from Seat.....	16 - 19-1/4

CONSTRUCTION

- Caster..... Monochromatic hooded 2" diameter dual wheel.
- Optional Caster..... See dealer net pricer.
- Base..... Monochromatic, 5 leg, injection molded plastic base
- Control..... Monochromatic heavy gauge steel. Adjust seat and back angle by moving rear lever upward.
- Seat..... 5/8" thick, 5-ply curved plywood, 3" thick shaped urethane foam cushion.
- Back..... 1/2" thick, 5-ply curved plywood, 2-1/2" thick shaped urethane foam cushion.
- Arm..... Optional: Model 7991 - See Spec No 53-4458
Optional: Model 7992 - See Spec No 53-4459
Optional: Model 7995 - See Spec No 53-4460
Optional: Model 7996 - See Spec No 53-4461
- Upholstery..... See dealer net pricer.
- Chair Weight..... 29 pounds.
- Shipping Weight..... 34 pounds.
- Shipped..... Knock Down, four piece assembly by customer.
- Shipping Size..... 23-1/2" wide x 13" deep x 23" high (4.1 cubic feet).
(UPS SHIPPABLE)
- Flammability Rating..... Furnished upon request by THE HON COMPANY GENEVA SEATING PLANT MANAGER.
- Special Features.... A pneumatic gas cylinder is used for seat height adjustment of chair.
- Note..... All measurements are per ANSI/BIFMA procedures.

Issue Date: 10-09-00

Part Number: 53-8690