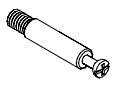


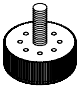
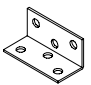
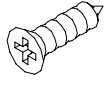

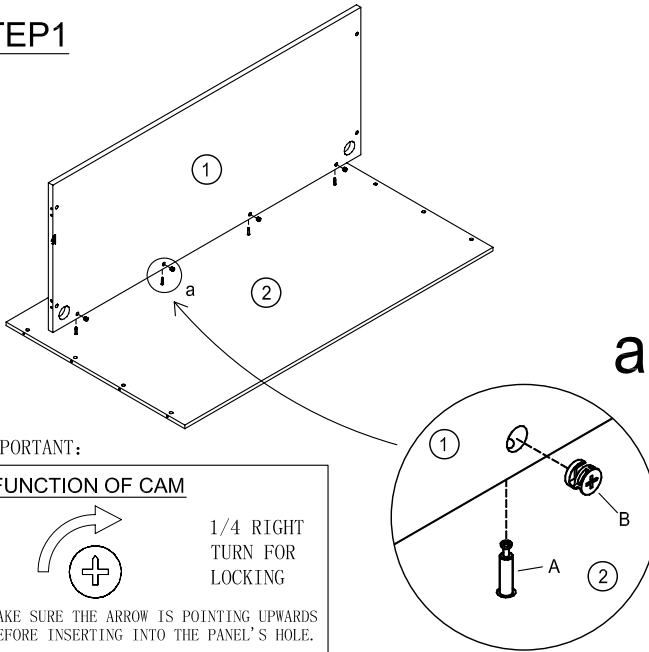


# Assembly Instructions MODEL NO.:SL7130RDS

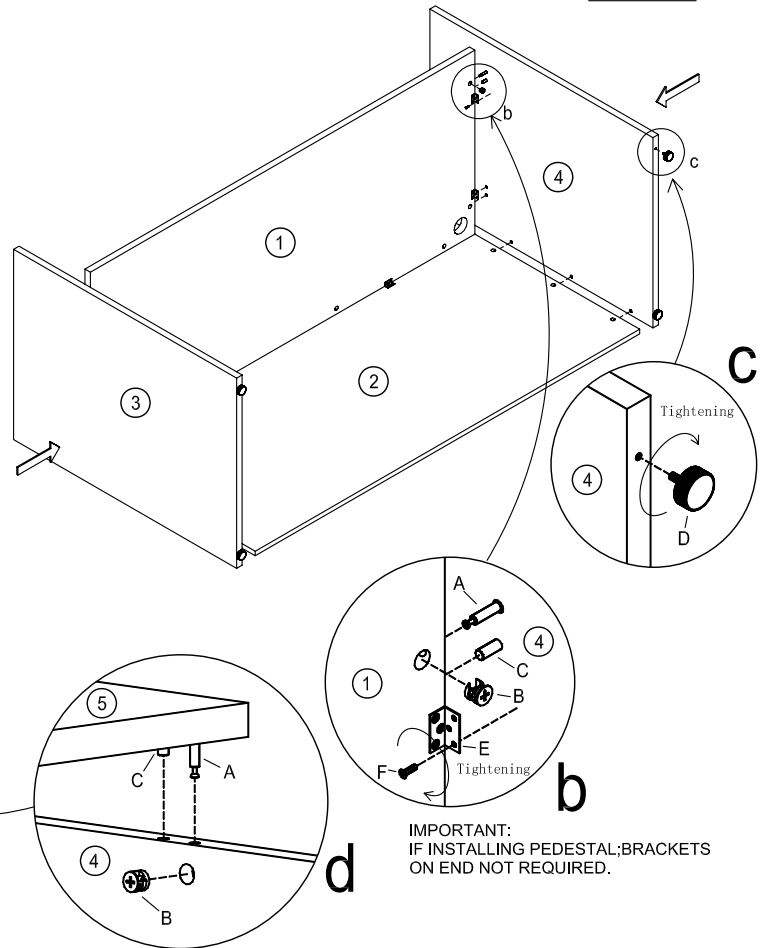
GALLERY DESK

TUN010CL	TUN011KC		TUN021AG	TUN013LB	TUN018SC	TUN015BG
<b>A</b> 	<b>B</b> 	<b>C</b> 	<b>D</b> 	<b>E</b> 	<b>F</b> 	<b>G</b> 
Cam Lock Pin 22Pcs	Cam Lock 22Pcs	Dowel 9Pcs	Glide 4Pcs	L-Bracket 6Pcs	Screw #4*5/8" 36Pcs	Grommet 2Pcs

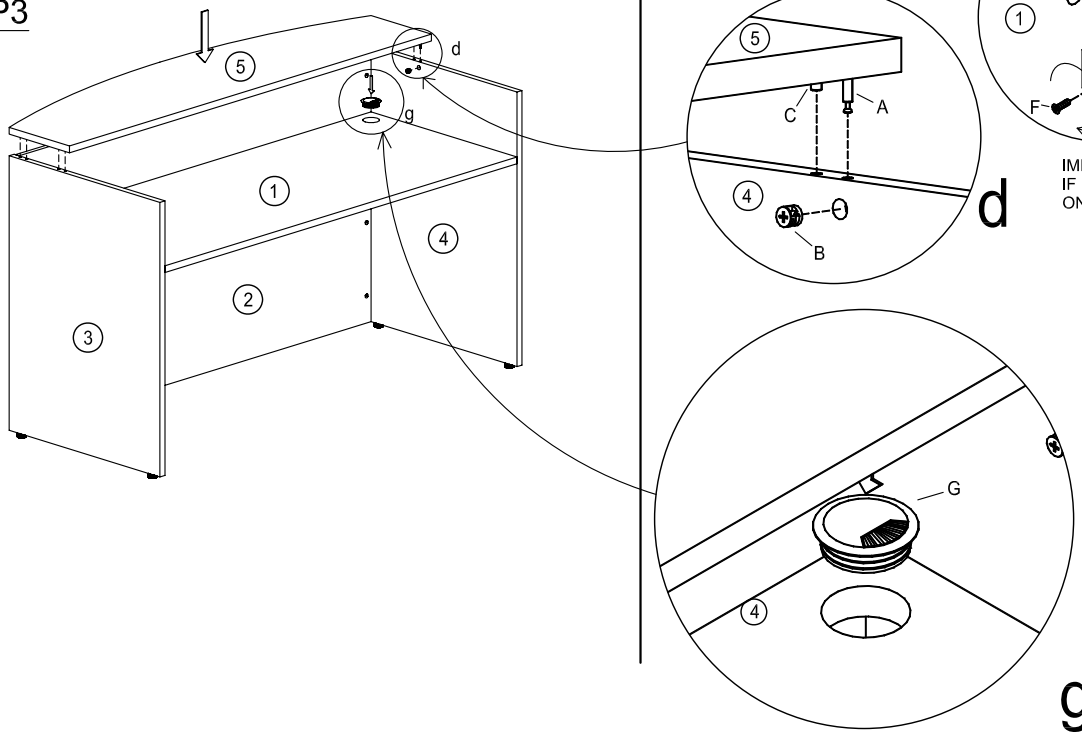
## STEP 1



## STEP 2



## STEP 3



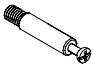

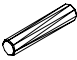
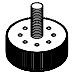
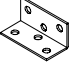

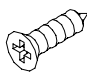

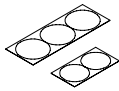
### IMPORTANT NOTE:

- It is advisable to assemble unit on a carpet to avoid scratch.
- Check to be sure that you have all parts and hardware.
- Don't tighten all screws/bolts until all completely assembled.
- It is recommended to require 2 persons to complete the assembling.

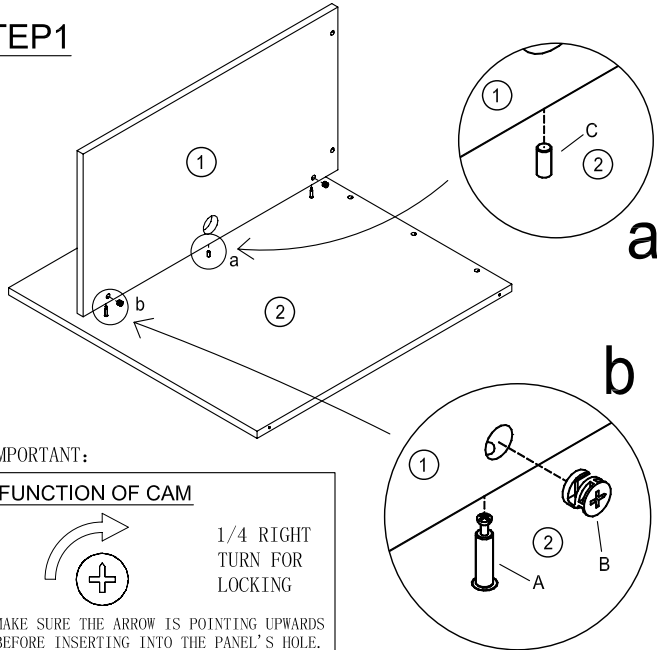
# Assembly Instructions

## MODEL NO.:SL4224RR

### GALLERY RETURN

TUN010CL	TUN011KC	C	TUN021AG	TUN013LB	TUN0191B	TUN018SC	TUN015BG	I
<b>A</b>  Cam Lock Pin 8Pcs	<b>B</b>  Cam Lock 8Pcs	<b>C</b>  Dowel 3Pcs	<b>D</b>  Glide 4Pcs	<b>E</b>  L-Bracket 3Pcs	<b>F</b>  I-Bracket 3Pcs	<b>G</b>  Screw #4*5/8" 36Pcs	<b>H</b>  Grommet 1Pcs	<b>I</b>  Sticker 20Pcs

### STEP1



**IMPORTANT:**

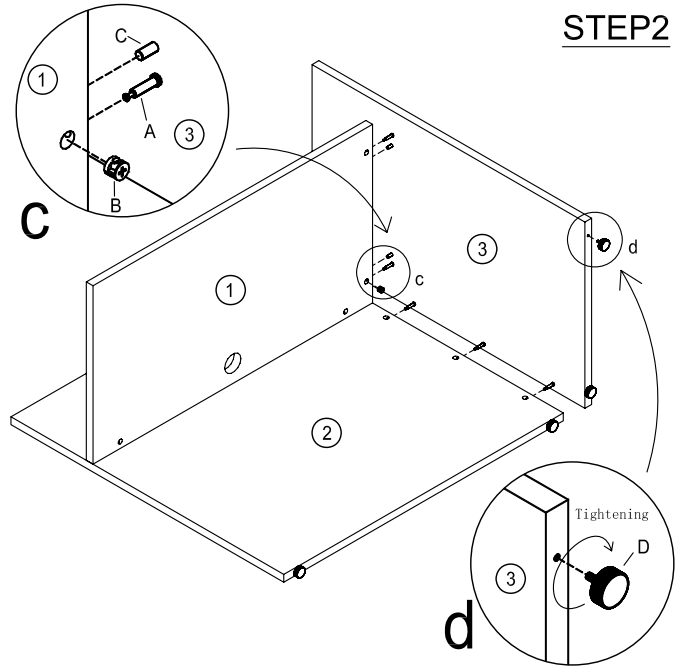
**FUNCTION OF CAM**



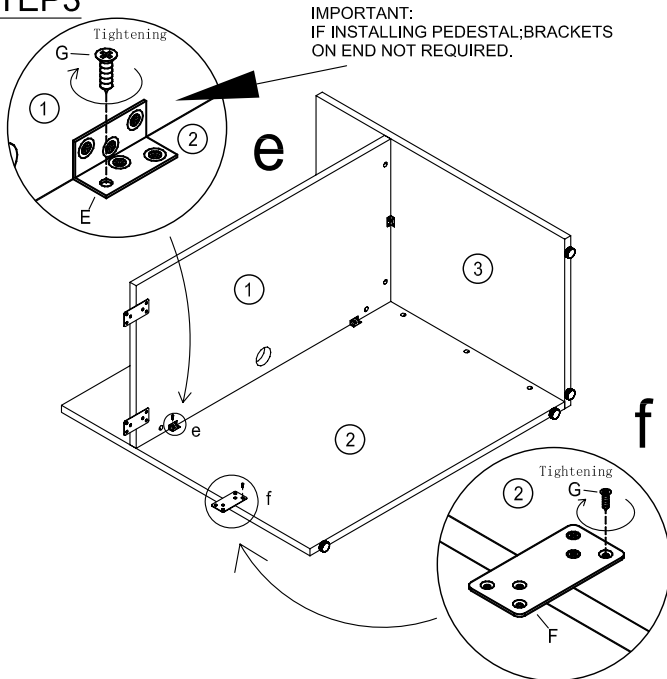
1/4 RIGHT  
TURN FOR  
LOCKING

MAKE SURE THE ARROW IS POINTING UPWARDS  
BEFORE INSERTING INTO THE PANEL'S HOLE.

### STEP2

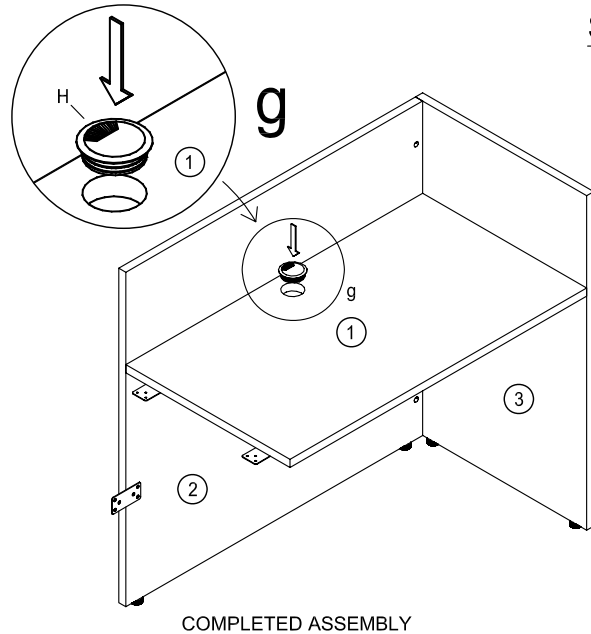


### STEP3



**IMPORTANT:**  
IF INSTALLING PEDESTAL; BRACKETS  
ON END NOT REQUIRED.

### STEP4



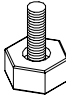
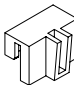



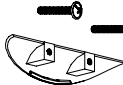
**COMPLETED ASSEMBLY**

### IMPORTANT NOTE:

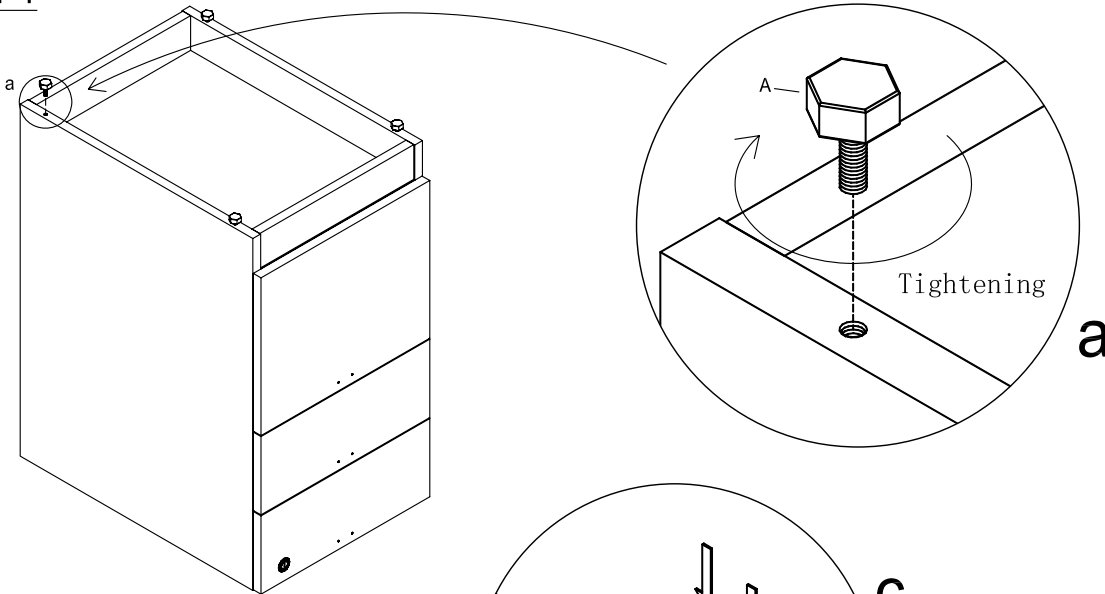
- It is advisable to assemble unit on a carpet to avoid scratch.
- Check to be sure that you have all parts and hardware.
- Don't tighten all screws/bolts until all completely assembled.
- It is recommended to require 2 persons to complete the assembling.

# Assembly Instructions MODEL NO.:SL22BBF

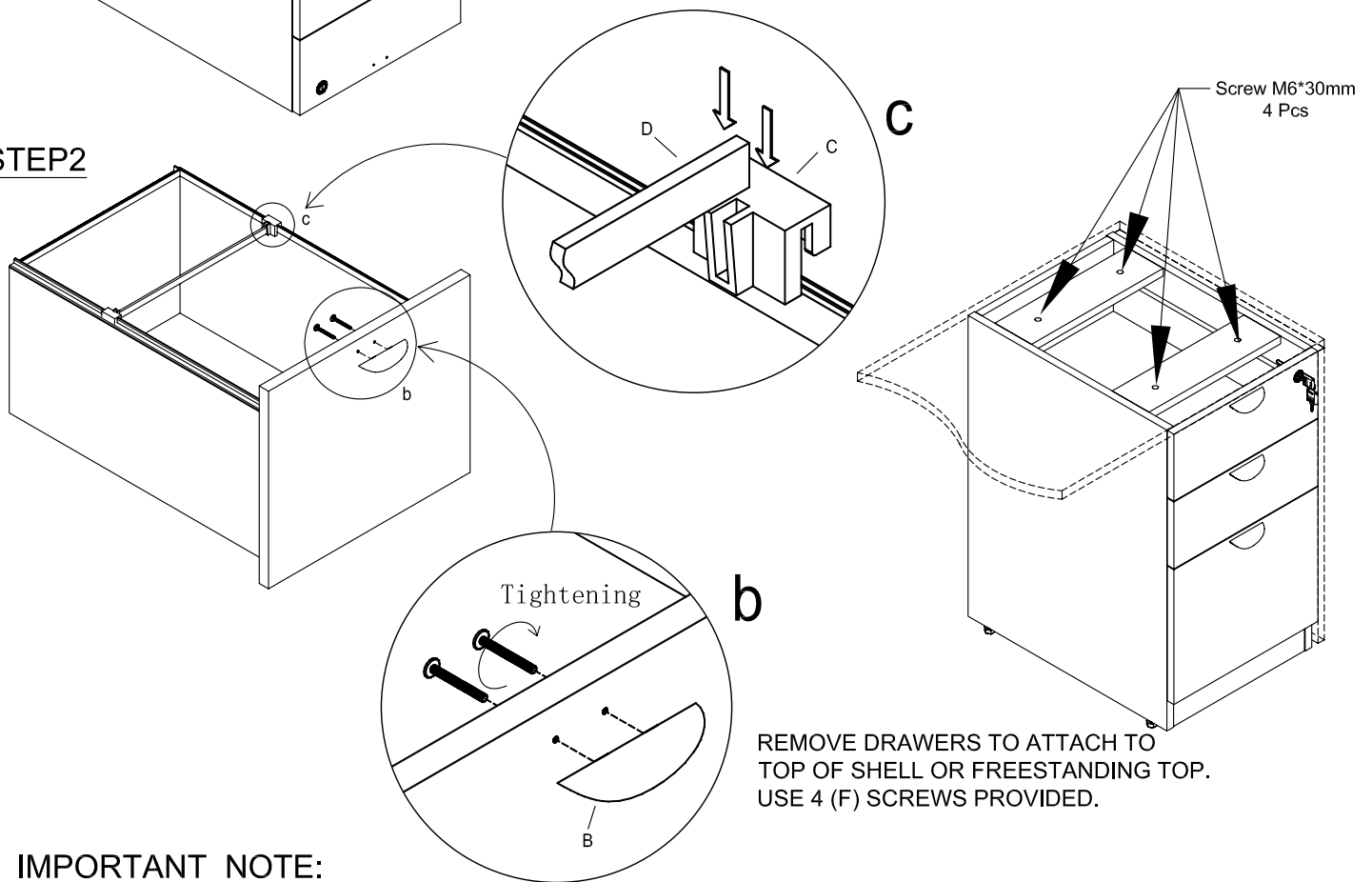
BOX/FILE PEDESTAL

		TUN001FC			TUN027SC
<b>A</b>					
Glide 4 Pcs	<b>B</b>  32mm Metal Scallop Shape Handle 3 Sets	File Clip 2 Pcs	300*16*3mm Aluminium Bar 1 Pcs	Keys 1 Set	Screw M6*30mm 4 Pcs

## STEP1



## STEP2



REMOVE DRAWERS TO ATTACH TO TOP OF SHELL OR FREESTANDING TOP. USE 4 (F) SCREWS PROVIDED.

### IMPORTANT NOTE:

- It is advisable to assemble unit on a carpet to avoid scratch.
- Check to be sure that you have all parts and hardware.
- Remove drawers to attach to top of shell or freestanding top.
- Use four screws provided.
- Don't tighten all screws/bolts until all completely assembled.
- It is recommended to require 2 persons to complete the assembling.