

TWO-DRAWER LETTER-SIZE FILE

FireKing Vertical Files

Maximum capacity, maximum value per filing inch.

When you compare cost to capacity, it's no wonder our high-capacity FireKing Vertical Files are our best-selling models. They offer the best value per filing inch – plus a lifetime of peace of mind. Like all our files, they carry the Underwriters' Laboratories Class 350 one-hour "Record Protection Equipment Classified as to Fire and Impact Resistance" label.

Use your FireKing Vertical File to organize and protect: Tax records
■ Legal documents ■ Deeds, contracts, and financial instruments
■ Accounts Payable and Receivable ■ OSHA records
■ Personal items (manuscripts, photographs, etc.)

FireKing Vertical Files are equipped with UL-listed high-security keylocks – rated to resist picking and drilling – and a wide variety of locking options is available to ensure confidentiality.

FireKing Vertical Files can be ordered in 2-, 3-, and 4-drawer sizes, and letter and legal widths. They also offer a complete range of

accessory and interior options, and are available in nine standard colors (or any custom color you specify) to match your office decor.

UL-rated to protect your vital documents.

FireKing Vertical Files are Underwriters' Laboratories-listed to protect paper records through the following tests:

- A one-hour fire test in external temperatures of over 1700°F
- A 1550°F-fire-plus-30-foot impact test
- A 2000°F explosion hazard test

Because of its unique steel lattice reinforcement, insulation between drawers, and extra-thick steel panels, the FireKing Vertical File is UL-rated to survive a fall of 30 feet – and still keep its contents safe in a fire. Combined with the fire and explosion-hazard UL ratings, this test proves that FireKing Vertical Files are built to survive under the worst conditions. What's more, their oven-dried, asbestos-free insulation maintains this protection.

We guarantee it.

Like all our files, FireKing Vertical Files carry FireKing's exclusive 3-Year Warranty on all parts. And our Free Replacement Guarantee: if your Vertical File ever has to protect your records in a fire and any damage occurs to its fire-protection abilities, we'll give you a new one free of charge.



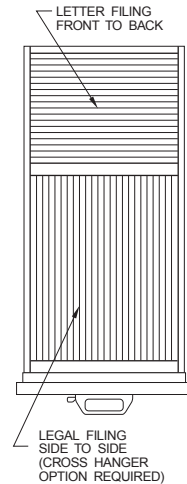
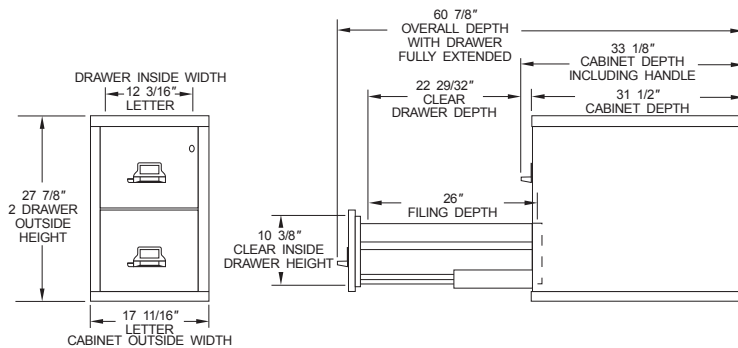
2-1831-C: Two-Drawer Vertical Letter File
Outside Dimensions:
27 7/8" H x 17 11/16" W x 31 1/2" D
Internal Drawer Dimensions:
10 3/8" H x 12 3/16" W x 26" D
Approx. Shipping Weight: 348 lbs.

Fire King International
101 Security Parkway
New Albany, Indiana USA 47150

812-948-8400 / 800-457-2424
812-948-0437 / 800-227-7513 FAX



Vertical File Specifications



FIREKING VERTICAL LETTER FILING ARRANGEMENTS

Fire and Impact Rating

The Underwriters' Laboratories "Record Protection Equipment" classification includes a one-hour fire test of 1700°F, a 2000°F explosion hazard test, and a 30-foot impact test.

Insulation

The FireKing Vertical File's casting is of specially formulated, asbestos-free gypsum-based insulation, oven-dried to reduce free moisture to less than 1/2%. Insulation is reinforced with 1" x 2" 14-gauge galvanized welded-steel wire; and insulation between all drawers makes each drawer a separate insulated container.

Field-Replaceable Steel Panels

All exterior steel panels are replaceable in the field in the event of minor damage.

Finish

An environmentally friendly, electrostatically applied powder coating gives the FireKing Vertical File a scratch-, scuff-, and stain-resistant finish. Plus, a five-stage prefinishing treatment provides unmatched adhesion and rust resistance.

Drawer Suspensions

Cradle suspensions are securely mounted with screws to metal posts in the file body.

Drawer Bodies

Each drawer body is built with high sides for use with hanging folders – no additional frames are required.

Drawer Heads

Drawer heads are formed of welded steel, and filled with our specially formulated gypsum-based insulation. Each drawer head is designed for a tight interlock with the cabinet frame – making all drawers extra-resistant to heat transfer.

High-Security Keylocks

The FireKing Vertical File's Medeco™ drawer keylocks are UL-rated to resist picking and drilling. Because keys cannot be duplicated – except through FireKing – access is limited to authorized keyholders only.

Drawer Bypass

Works for all file drawers. In its "up" position, the drawer catch allows a drawer to stay unlocked while other drawers remain locked.

Drawer Pulls

Made of bright chrome-plated zinc, each drawer pull contains an integral index-card holder.

Colors

FireKing Vertical Files are available in the nine standard colors preferred by today's office designers and decorators:

Parchment	Champagne
Tan	Sand
Taupe	Platinum
Brown	Pewter
Black	

They're also available in any custom colors you specify.

3-Year Warranty

All FireKing files carry a 3-year warranty on all parts, including insulation and drawer suspensions.

Free Replacement Guarantee

If your FireKing Vertical File is ever required to protect your documents in a fire, and any of its fire-protective properties are damaged, FireKing will replace it free.