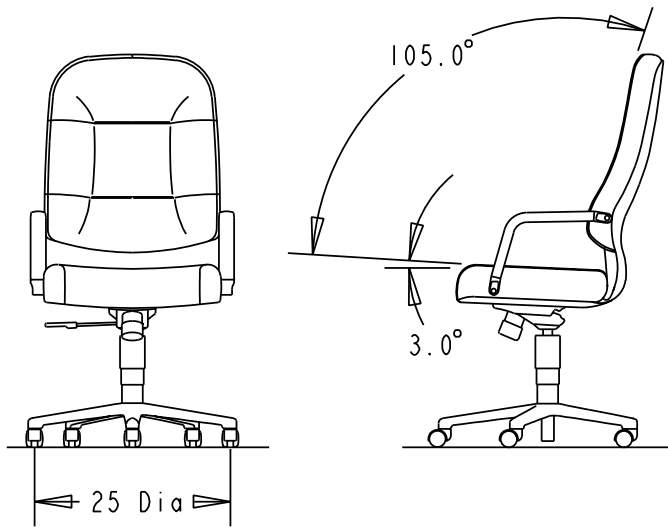


MODEL: 2091

Executive, High-Back,
Swivel Tilt, Tilt Lock,
Pneumatic, Arms



CHAIR SPECIFICATIONS

Max. Width.....	26-1/4
Max. Depth.....	29-3/4
Max. Height.....	46-1/2
Seat Size	
Width.....	22
Depth.....	21
Usable Depth.....	18-1/2
Height from Floor....	16-3/4 - 21-1/4
Back Size	
Width.....	22
Height.....	23-1/2
Height from Seat.....	25
Arm Size	
Width.....	2-1/4
Distance Between	
Arms.....	20-1/4
Height from Seat.....	7-1/4

CONSTRUCTION

Caster.....	Hooded 2" diameter dual wheel.
Base.....	5 leg black base arms are 16 gauge formed steel with black plastic base cap.
Control.....	Black heavy gauge steel, swivel tilt, tilt-lock, 17-4 taper.
Seat.....	5/8" thick, 7-ply curved plywood, 3-1/2" thick urethane foam cushion with 1-1/8" thick visco-elastic foam topper.
Back.....	5/8" thick, 7-ply curved plywood, 3-1/2" thick shaped urethane foam cushion with 2" thick polyester fiber topper.
Arm.....	Steel with urethane padded arms.
Upholstery.....	See List Pricer.
Chair Weight.....	42 pounds.
Shipping Weight.....	54 pounds.
Shipped.....	FULLY ASSEMBLED.
Shipping Size.....	32.00" wide x 28.06" deep x 45.56" high (23.67 cubic feet).
Flammability	
Rating.....	Furnished upon request by The HON Company Customer Service.
Special Features....	A pneumatic gas cylinder is used for seat height adjustment of chair.
Note.....	All measurements are per ANSI/BIFMA procedures.

Issue Date:	20-MAR-2008
-------------	-------------

Part Number:	53-4288
--------------	---------