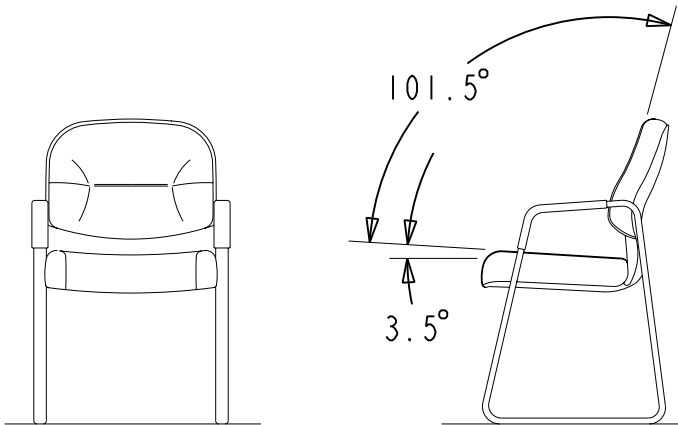


MODEL: 2093

Guest, Sled Base, Arms

CHAIR SPECIFICATIONS

Max. Width.....	23-1/4
Max. Depth.....	27-3/4
Max. Height.....	36
<u>Seat Size</u>	
Width.....	20-3/4
Depth.....	21-1/2
Usable Depth.....	19
Height from Floor....	19-1/2
<u>Back Size</u>	
Width.....	21-1/2
Height.....	16-1/2
Height from Seat....	19-1/4
<u>Arm Size</u>	
Width.....	1-3/4
Distance Between	
Arms.....	19-3/4
Height from Seat....	6



CONSTRUCTION

- Glide..... Nylon, 3/4" diameter.
- Frame..... Black 1-1/2" x 3/4" oval, 16 gauge steel tubing
- Seat..... 5/8" thick, 7-ply curved plywood, 3-1/2" thick urethane foam cushion with 3/4" thick polyester fiber topper.
- Back..... 5/8" thick, 7-ply curved plywood, 3" thick urethane foam cushion with 2" thick polyester fiber topper.
- Arm..... Black 1-1/2" x 3/4" oval, 16 gauge steel with plastic arms pads.
- Upholstery..... See list pricer.
- Chair weight..... 28 pounds.
- Shipping Weight..... 38 pounds.
- Shipped..... Completely assembled
- Shipping Size..... 29-1/8" Wide X 25-7/8" Deep X 39-3/4" High (17.4 cubic feet). ←
- Flammability Rating..... Furnished upon request by THE HON COMPANY CUSTOMER SERVICE.
- Note..... All measurements are per ANSI/BIFMA procedures.

Issue Date: 01/28/04
 Part Number: 53-4289 'A'